



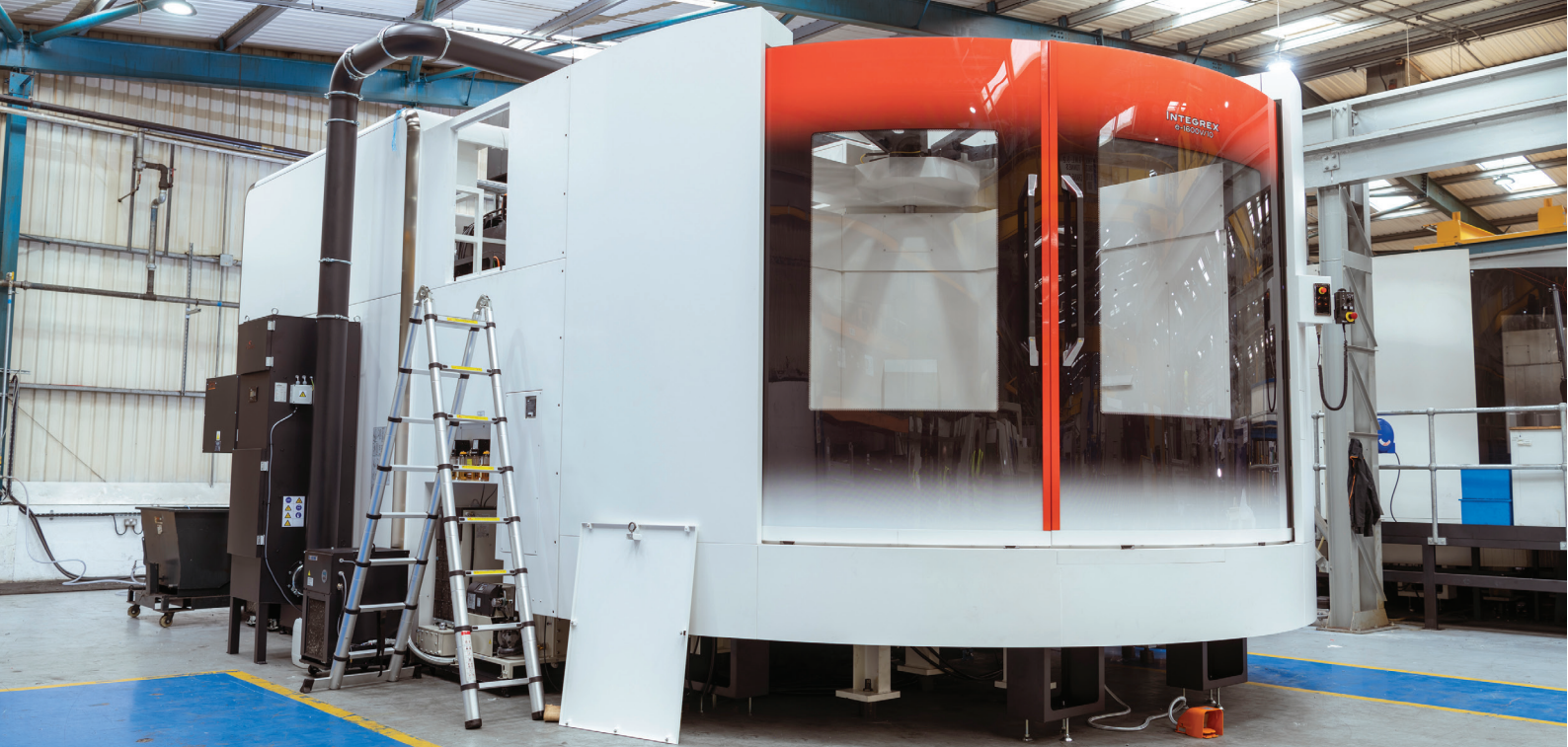
**Discflex Coupling**

**Brochure**

***RENOLD*** | Couplings

# Contents

Renold Couplings	3
Discflex	4
Keyway dimensions	5
Discflex technical information	6
Discflex component spares	7
Global services	8



## Innovation Everyday

Renold have been driving industry forward through innovation since 1879. Renold Couplings drives industry the world over, from marine, cranes and hoists to manufacture, mass transportation and the pulp and paper industry. Our couplings connect machines to machines through stock solutions and bespoke-crafted connections, all manufactured in our high-tech engineering factories.

### Engineering capability

A team of in-house design engineers work to continuously improve the existing product range, introduce new products and deliver innovative new solutions to our customers challenges.

### British manufacturer

Since 1946 Renold Couplings have manufactured a full range of couplings and clutches.

Based in Cardiff, UK, we control the full design and manufacture process, bringing class leading quality and complete customer peace of mind.

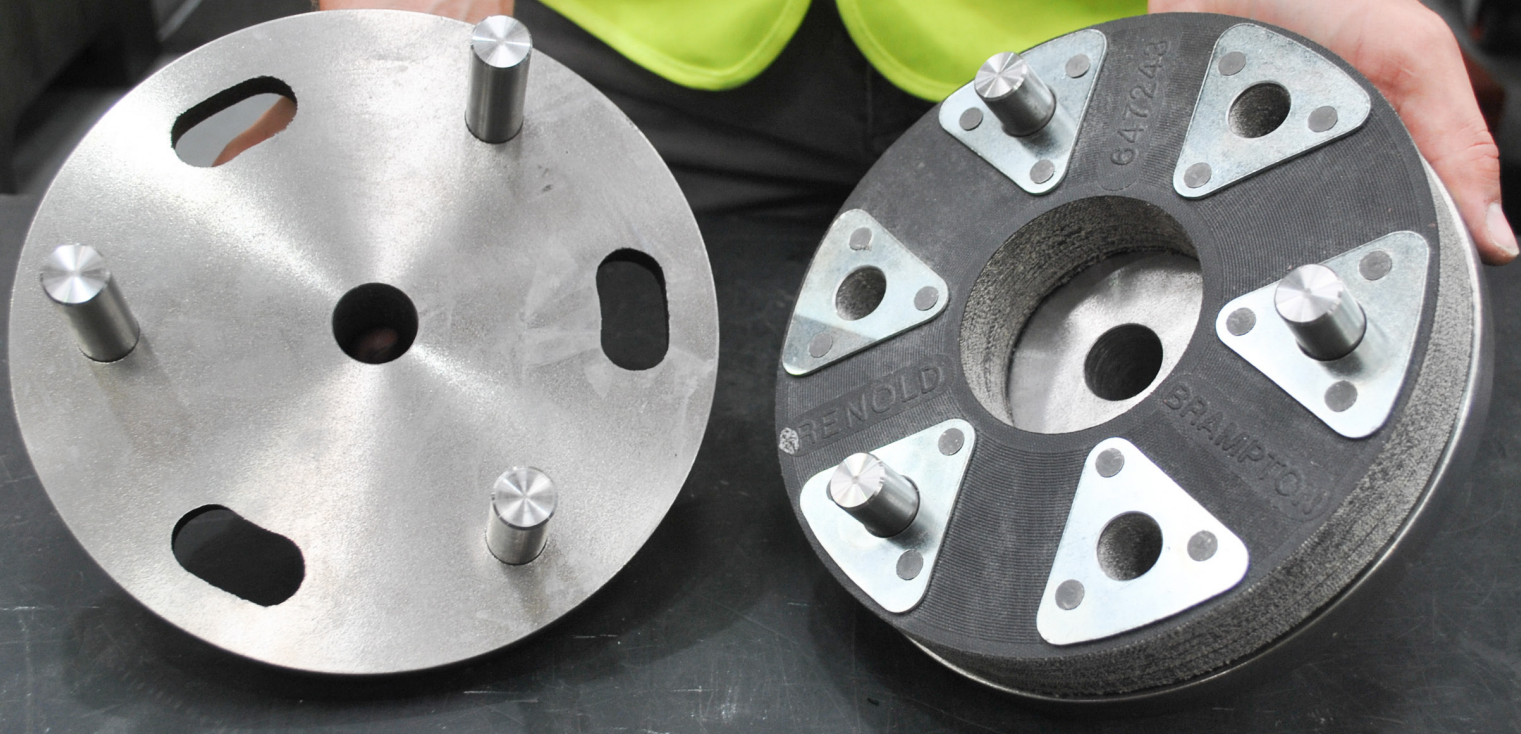
### Worldwide support

With manufacturing facilities in 4 continents and support offices in over 30 countries Renold Couplings can offer service that understands the requirements and challenges of your particular market.

### Availability

Renold Couplings holds significant stock of standard items and component parts both in our UK facility and with our partners around the world.

Controlling the full manufacturing process, Renold Couplings can deliver responsive lead times for manufactured parts.



## Discflex

A general purpose and fail-safe, torsionally flexible coupling. The Discflex offers either urethane or fabric discs as the flexible element.

### Coupling capacity

- Maximum power at 100RPM: 45kW
- Maximum torque: 4298Nm

### General details

- Cast iron half bodies
- Urethane disc  
Temp range -40 to 80°C
- Fabric disc  
Temp range -40 to +90°C

### Standard range comprises

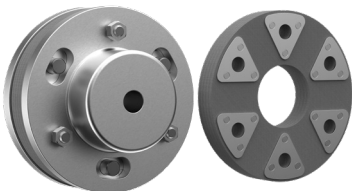
- Shaft to Shaft

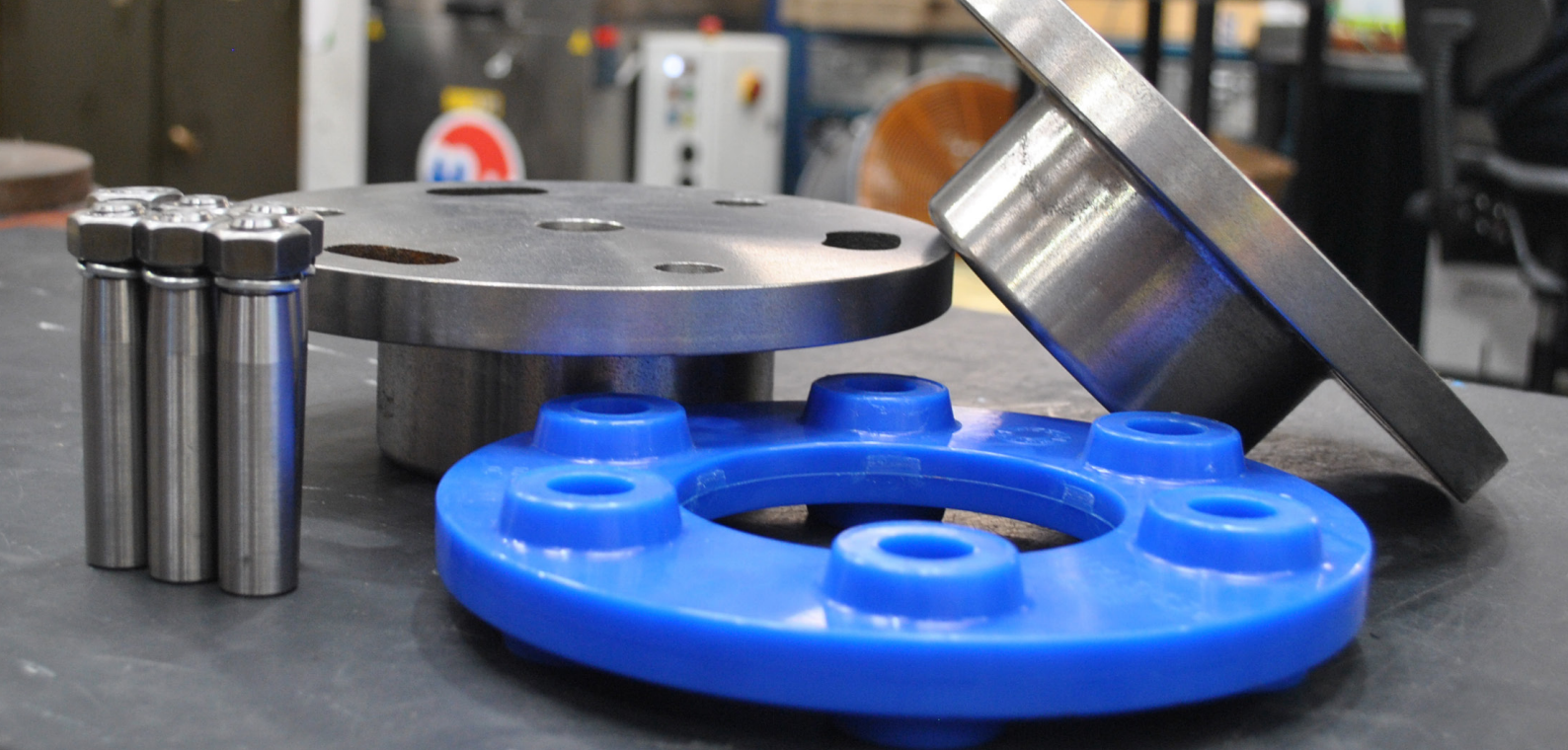
### Applications

- Bottling machines
- Compressors
- Mixers
- Pumps
- Screens
- General industrial applications

### Features and benefits

- Compact design, dimensionally small yet high power capacity
- Torsionally flexible – shock absorbing, extending machine life
- Maintenance free – minimum number of wearing parts
- Misalignment capabilities allowing flexibility installation
- Alternative flexible elements available for wide design choice
- Optional fire retardant anti-static elements for use in flameproof environment
- Taper bush bores available for ease of maintenance





## Keyway dimensions

### Metric (mm)

Keyways comply with BS4235: Part 1: 1972

Shaft dia.		Keyway		
Over	Incl.	J	K	L
6	8	2	2	1.0
8	10	3	3	1.4
10	12	4	4	1.8
12	17	5	5	2.3
17	22	6	6	2.8
22	30	8	7	3.3
30	38	10	8	3.3
38	44	12	8	3.3
44	50	14	9	3.8
50	58	16	10	4.3
58	65	18	11	4.4
65	75	20	12	4.9
75	85	22	14	5.4
85	95	25	14	5.4
95	110	28	16	6.4
110	130	32	18	7.4
130	150	36	20	8.4
150	170	40	22	9.4
170	200	45	25	10.4
200	230	50	28	11.4

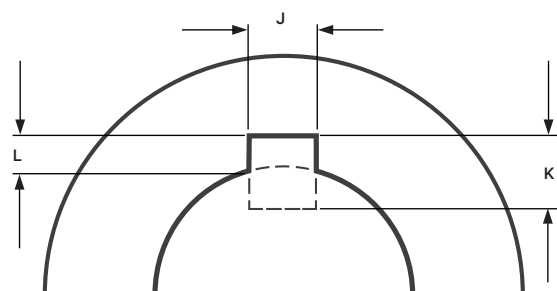
### Imperial (inches)

Keyways comply with BS46: Part 1: 1958

Shaft dia.		Keyway		
Over	Incl.	J	K	L
0.25	0.05	0.125	0.125	0.060
0.50	0.75	0.187	0.187	0.088
0.75	1.00	0.250	0.250	0.115
1.00	1.25	0.312	0.250	0.090
1.25	1.50	0.375	0.250	0.085
1.50	1.75	0.437	0.312	0.112
1.75	2.00	0.500	0.312	0.108
2.00	2.50	0.625	0.437	0.162
2.50	3.00	0.750	0.500	0.185
3.00	3.50	0.875	0.625	0.245
3.50	4.00	1.000	0.750	0.293
4.00	5.00	1.250	0.875	0.340
5.00	6.00	1.500	1.000	0.384

### Keyway dimensions

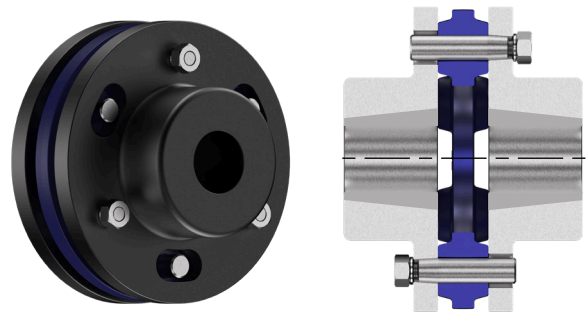
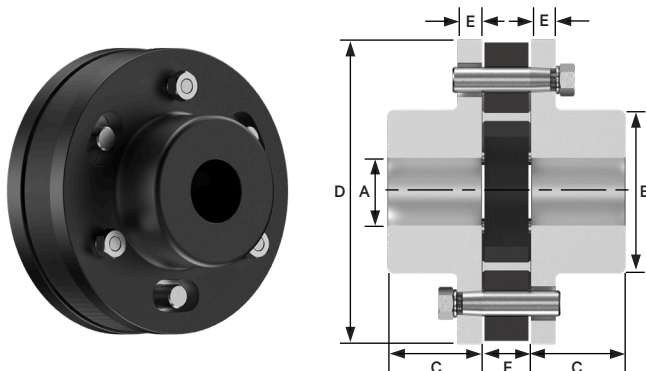
Parallel keyways are supplied unless customer states otherwise.



# Discflex technical information

Type B – fabric disc  
shown for reference

Type F – urethane disc  
shown for reference



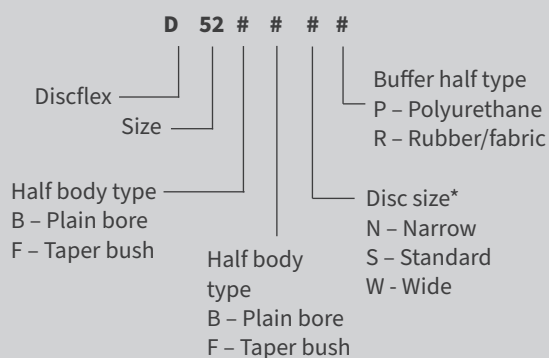
Catalogue number	Power 100rpm kW	Torque nominal Nm	Speed max* rpm	Type B		Type F			Dimensions						End float mm
				Bore		Bush size	Bore		B mm	C mm	D mm	E mm	F mm	Mass kg	
				Max	Min		Max	Min							
D41# # N #	0.75	72	2900	32	12	TB1008	25	9	58	25	104	11	16	2.1	1.8
D52# # N #	1.5	143											22	4.9	2.5
D52# # S #	2.25	215	2250	42	19	TB1215	32	11	72	41	133	13	26	5.0	2.5
D52# # W #	3	287											31	5.1	2.5
D71# # N #	3.75	358											23	11.0	3
D71# # S #	5.25	501	1650	60	28	TB2017	50	18	102	48	181	16	27	11.1	3
D71# # W #	7.5	716											32	11.2	3
D89# # N #	9	860											28	20.8	3.8
D89# # S #	12	1146	1300	75	32	TB2525	60	19	121	70	225	18	40	21.0	3.8
D89# # W #	15	1433											47	21.7	3.8
D108# # NR	19	1791											47	40.0	4.6
D108# # SR	23	2149	1050	95	38	TB3030	75	35	155	83	274	22	51	40.0	4.6
D108# # WR	26	2507											63	41.0	4.6
D127# # NR	30	2865											53	65.0	5.3
D127# # SR	38	3581	900	110	55	TB3535	90	35	185	95	324	25	61	66.0	5.3
D127# # WR	45	4298											73	67.0	5.3

\* Normal maximum speeds with 1° max. angular malalignment, above these speeds consult our Sales Technical Staff.  
Max angular misalignment 1°  
Max offset misalignment 0.5mm

# Discflex component spares

Coupling number	Product no 'BB' type	Product no 'FF' type	Polyurethane disc	Rubber/fabric disc	Pin assembly	Half body pilot bored	Half body taper bored
D41 ## NP	644763	644763/77	644733	-	644204	644205	644205/77
D41 ## NR	647263	647263/77	-	647233	644204	644205	644205/77
D52 ## NP	644766	644766/77	644736	-	644207	644208	644208/77
D52 ## NR	647266	647266/77	-	647236	644207	644208	644208/77
D52 ## SP	644767	644767/77	644737	-	644207	644208	644208/77
D52 ## SR	647267	647267/77	-	647237	644207	644208	644208/77
D52 ## WP	644768	644768/77	644738	-	644207	644208	644208/77
D52 ## WR	647268	647268/77	-	647238	644207	644208	644208/77
D71 ## NP	644769	644769/77	644739	-	644210	644211	644211/77
D71 ## NR	647269	647269/77	-	647239	644210	644211	644211/77
D71 ## SP	644770	644770/77	644740	-	644210	644211	644211/77
D71 ## SR	647270	647270/77	-	647240	644210	644211	644211/77
D71 ## WP	644771	644771/77	644741	-	644210	644211	644211/77
D71 ## WR	647271	647271/77	-	647241	644210	644211	644211/77
D89 ## NP	644772	644772/77	644742	-	644213	644214	644214/77
D89 ## NR	647272	647272/77	-	647242	644213	644214	644214/77
D89 ## SP	644773	644773/77	644743	-	644213	644214	644214/77
D89 ## SR	647273	647273/77	-	647243	644213	644214	644214/77
D89 ## WP	644774	644774/77	644744	-	644213	644214	644214/77
D89 ## WR	647274	647274/77	-	647244	644213	644214	644214/77
D108 ## NR	647275	647275/77	-	647245	644216	644217	644217/77
D108 ## SR	647276	647276/77	-	647246	644216	644217	644217/77
D108 ## WR	647277	647277/77	-	647247	644216	644217	644217/77
D127 ## NR	647278	647278/77	-	647248	644219	644220	644220/77
D127 ## SR	647279	647279/77	-	647249	644219	644220	644220/77
D127 ## WR	647280	647280/77	-	647250	644219	644220	644220/77

## Ordering code



\* Disc size depending on torque transmitted

# Global services



 **Head office**    **Renold locations**



### Internal support

Sales team embedded in the manufacturing site with unrivalled product knowledge



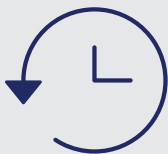
### Large engineering team

Our team can design a quality coupling to match your exact requirements



### Manufacturing facility

Designed and manufactured in house by Renold; giving ultimate control on our solutions



### History and Longevity

Manufacturing in the UK for over 100 years and commitment in our facilities for the long term, we are here to stay



### Excellent Communication

From an accessible sales team, weekly order updates and a global sales network we make it easy to communicate



### Record investment

Heavy investment in our business; spending millions of pounds upgrading CNC equipment, metrology arms and the newest software and test rigs



## Get in touch

For your local Renold  
sales and service location

+44 (0) 29 2079 2737



cardiff.sales@renold.com



www.renold.com



Wentloog Corporate Park  
Newlands Road, Cardiff  
CF3 2EU



**LRQA**  
CERTIFIED

ISO 9001

**LRQA**  
CERTIFIED

ISO 45001

**LRQA**  
CERTIFIED

ISO 14001